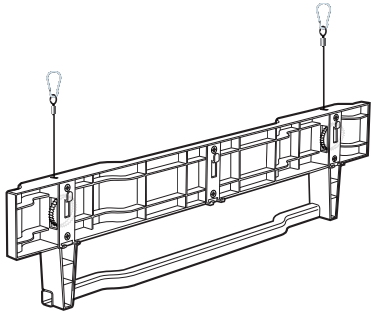


TAVOLO The Ultimate Space Saver

Rail mount: Installation instructions

Congratulations, you've purchased the innovative rail mounting TAVOLO Table Bar, by H.E. Nelson Inc. You will soon be enjoying your new attractive and space conscience table after this quick installment. We thank you for your purchase and please check back with the retailer or our web site www.tavololine.com for attachments and different models.

Step 1 | Gather your parts.



Rail mount unit x 1

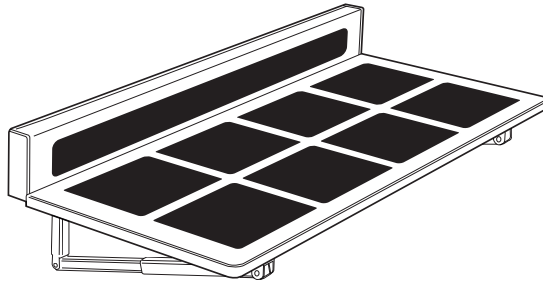
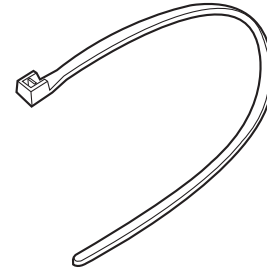


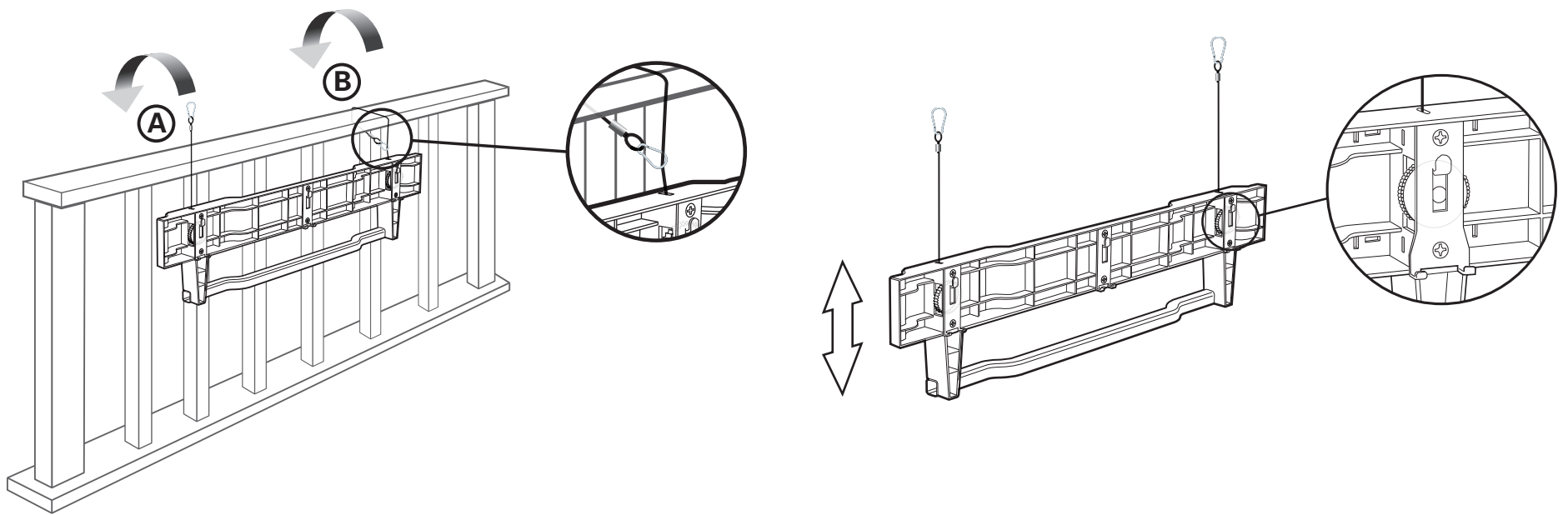
Table x 1



Zip Ties x 4

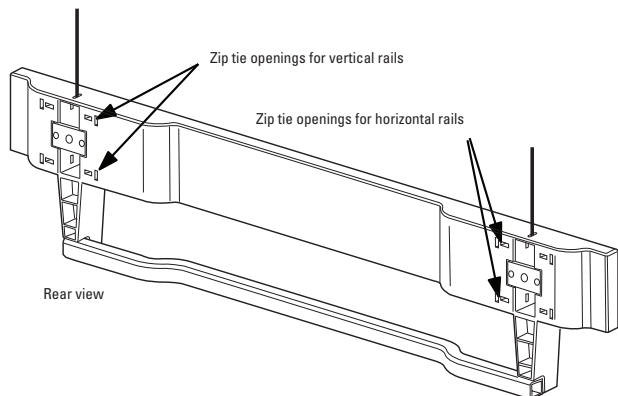
Step 2 | Attaching the rail mount unit (Not recommended for installation on glass railings).

Wrap the support cables around the top horizontal bar on the rail and secure it to itself.

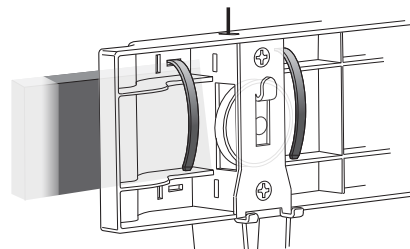


(A) Wrap cables around top rail. **(B) Attach spring clip to cable.**

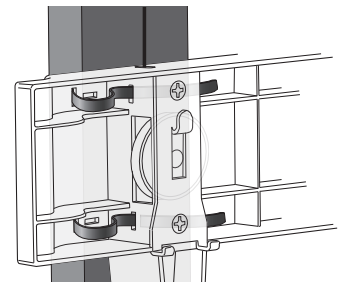
(C) Adjust table height.
Push wheel inward and turn to adjust height of table.



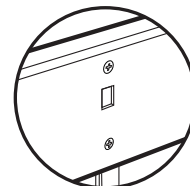
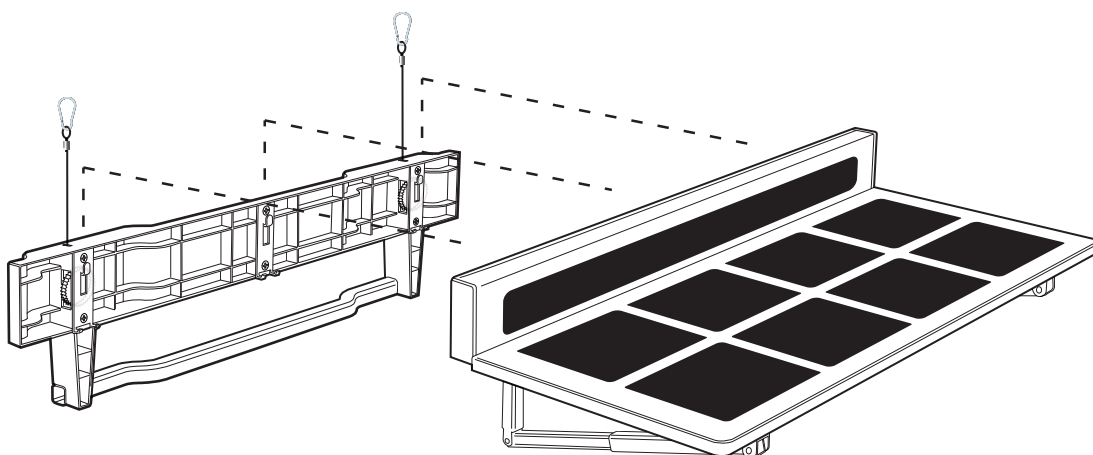
(D) Attaching the zip ties to the rails
We've designed the table to be able to attach to both horizontal and vertical rails.



Front view: Zip tie configuration for horizontal rails.



Front view: Zip tie configuration for vertical rails.



Align the hooks with the mounting holes on the back of the table.

(E) Attach the table rail mount

For full information on the Tavolo 1 year limited warranty, log onto www.tavololine.com/warranty



More information and installation videos are available at www.tavololine.com/installation



Questions, comments or feedback, email us at info@tavololine.com